



**bre**global

**Classification report for  
roofs/roof coverings  
exposed to external fire  
in accordance with BS  
EN 13501-5: 2005**

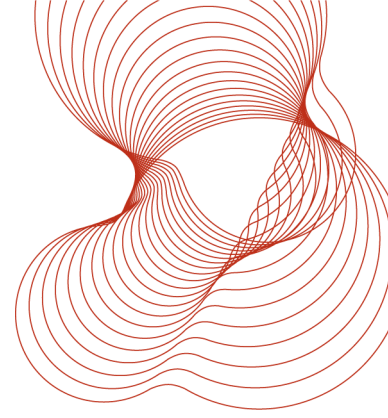
Prepared for:  
Joule Energy Solutions Ltd.  
Kylemore Park West  
Ballyfermot  
Dublin 10  
Eire

17<sup>th</sup> November 2010

Classification report no. 266916



0578



**Prepared on behalf of BRE Global by**

---

Name S M Warbus

Position Senior Consultant

Signature

---

**Approved on behalf of BRE Global by**

---

Name S J Howard

Position Principal Consultant

Date 17/11/10

Signature

---

BRE Global  
Bucknalls Lane  
Watford  
Herts  
WD25 9XX  
T + 44 (0) 1923 664100  
F + 44 (0) 1923 664994  
E [enquiries@breglobal.com](mailto:enquiries@breglobal.com)  
[www.breglobal.com](http://www.breglobal.com)

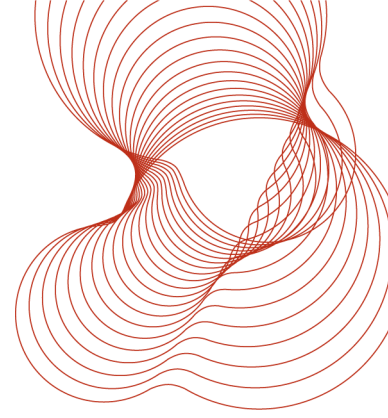
BRE Global is not UKAS accredited to make opinions and interpretation. Any opinions and interpretations included as part of this report are clearly marked as such.



0578

This report may only be distributed in its entirety and in accordance with the terms and conditions of the contract. Test results relate only to the items tested. We have no responsibility for the design, materials, workmanship or performance of the product or items tested. This report does not constitute an approval, certification or endorsement of the product tested.

This report is made on behalf of BRE Global. By receiving the report and action on it, the client accepts that no individual is personally liable in contract, tort or breach of statutory duty (including negligence). No third party has any right to rely on this report.



## CLASSIFICATION REPORT FOR ROOFS/ROOF COVERINGS EXPOSED TO EXTERNAL FIRE

**Sponsor:** Joule Energy Solutions Ltd. Kylemore Park West, Ballyfermot, Dublin 10, Eire

**Prepared by:** BRE Global, BRE, Bucknalls Lane, Garston, Watford, WD25 9XX, England

**Notified Body No:** 1576

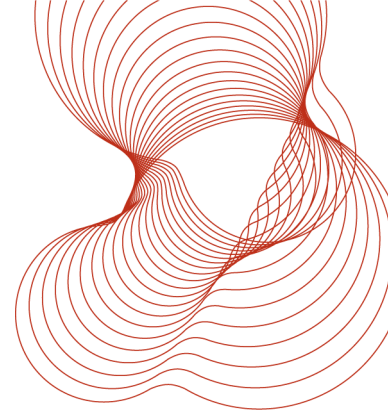
**Product name:** Joule High Performance VisSolis In Roof Solar System with tile flashing kit

**Classification report No.:** 266916

**Issue number:** 1

**Date of issue:** 17<sup>th</sup> November 2010

This classification report consists of ten pages and may only be used or reproduced in its entirety



## 1 Introduction

This classification report defines the classification assigned to Joule High Performance VisSolis In Roof Solar System with tile flashing kit in accordance with the procedures given in EN 13501-5:2005.

## 2 Product description

The roof / roof covering comprises: Joule High Performance VisSolis In Roof Solar System with tile flashing kit

Product description as provided by the client is given in Annex 1.

## 3 Test reports/extended application reports & test results in support of classification

<i>Name of Laboratory</i>	<i>Name of sponsor</i>	<i>Test report ref. no.</i>	<i>Test method</i>
BRE Global	Joule Energy Solutions Ltd	266915	ENV 1187:2002 Test 4

## 4 Test results

### Test conditions:

Test pitch: Sloping  
 Deck: As product description, Section 2  
 Supporting structure As product description, Section 2

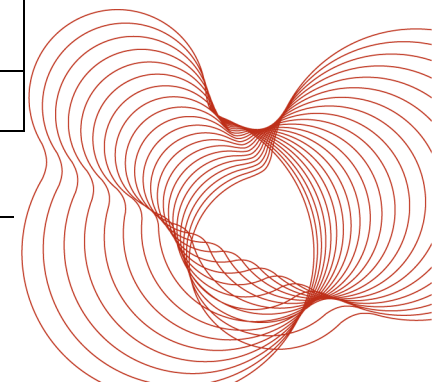
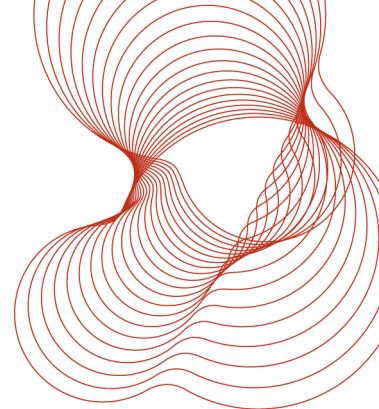
### Preliminary test (stage 1)

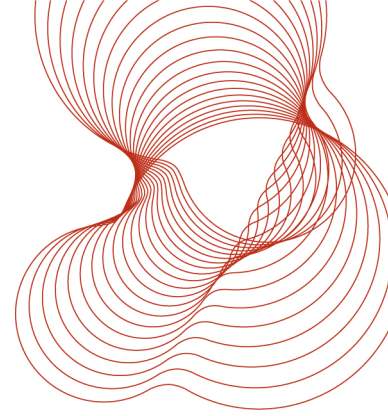
Parameter	Criteria				Test result	Compliance			
	Class B <sub>ROOF(t4)</sub>	Class C <sub>ROOF(t4)</sub>	Class D <sub>ROOF(t4)</sub>	Class E <sub>ROOF(t4)</sub>		Class B <sub>ROOF(t4)</sub>	Class C <sub>ROOF(t4)</sub>	Class D <sub>ROOF(t4)</sub>	Class E <sub>ROOF(t4)</sub>
Burn time	< 5 min	< 5 min	< 5 min	≥5 min	0 sec	Y	-	-	-
Flame spread distance	< 0,38m	< 0,38m	< 0,38m	No limit	None	Y	-	-	-
Penetration	None	None	None	None	None	Y	-	-	-

### Penetration test (stage 2)

Parameter	Criteria				Test results				Compliance			
	Class B <sub>ROOF(t4)</sub>	Class C <sub>ROOF(t4)</sub>	Class D <sub>ROOF(t4)</sub>	Class E <sub>ROOF(t4)</sub>	Specimen 1	Specimen 2	Specimen 3	Mean*	Class B <sub>ROOF(t4)</sub>	Class C <sub>ROOF(t4)</sub>	Class D <sub>ROOF(t4)</sub>	Class E <sub>ROOF(t4)</sub>
Penetration time	≥ 60 min	< 60 min > 30 min	≤30 min	≤ 30 min	60 min	60 min	60 min	60 min	Y	-	-	-

\* If one or two of the specimens have not failed at one hour, a time of 60 min shall be used in calculating the mean time of penetration





## 5 Classification and field of application

### 5.1 Reference of classification

This classification has been carried out in accordance with Table 1 of EN 13501-5:2005

### 5.2 Classification

The roof / roof covering, Joule High Performance VisSolis In Roof Solar System with tile flashing kit in relation to its external fire performance is classified:

**B<sub>ROOF</sub>(t4)**

### 5.3 Field of application

This classification is valid for the following conditions:

Range of pitches

Pitches > 10°

Deck and supporting structure

The classification is valid only for the deck and supporting structure tested.

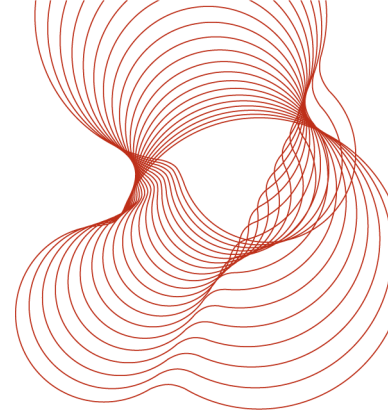
## 6 Limitations

This classification document does not represent type approval or certification of the product.

The specification and interpretation of fire test methods are the subject of ongoing development and refinement. Changes in associated legislation may also occur. For these reasons, it is recommended that the relevance of test and classification reports over five years old should be considered by the user. The laboratory that issued the report will be able to offer, on behalf of the legal owner, a review of the procedures adopted for a particular test or classification to ensure that they are consistent with current practices, and if required may endorse the report.

## 7 Reference

BS EN 13501-5:2005 incorporating corrigendum no.1, British Standards Institution, London.

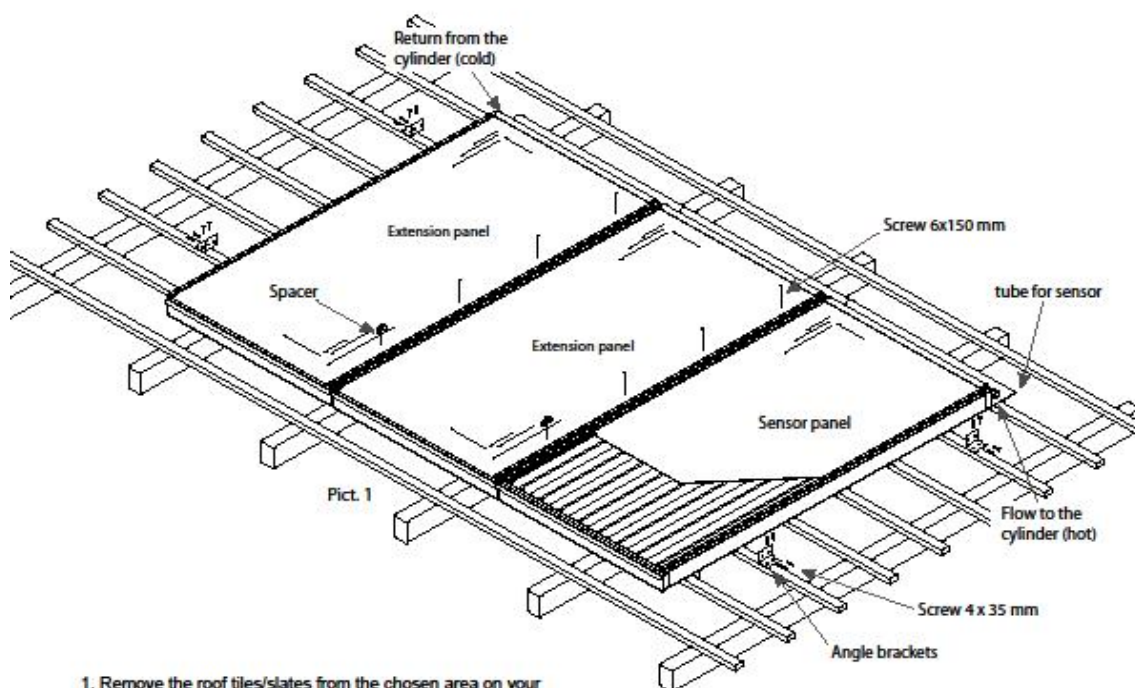


## Annex 1



### Installation instructions

Tools required:

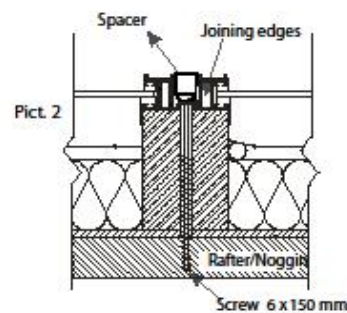


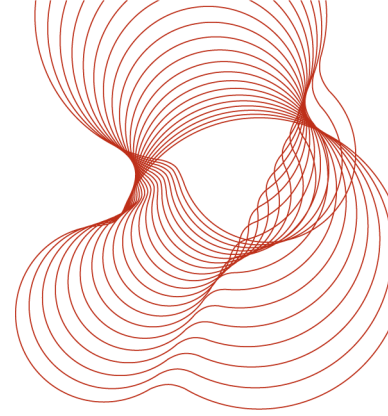
1. Remove the roof tiles/slates from the chosen area on your South facing roof where the panel/s will be placed. (Allow 1 m each side of the panels). Please note, that the upper part of the flashing should be at least 2 tile rows below the ridge!

2. There are straps to carry on the upper and under side of the panel. Never carry the panel by the connecting sockets!

3. First install the sensor panel on the right hand side of the array (this panel is marked with a sticker at the top right corner). Place the panels on the cleared part of the roof. On the back of each panel is a lath which hooks over a roofing batten. This prevents the panel from sliding down the roof until it is fixed.

4. Additional panels are placed on the roof. Slide them from the left side to the next panel until the joining edges interlink. (Pict. 2)





5. The hydraulic connection is made by connecting the unions between panels. Note! Care should be taken to avoid the connecting pipes rotating, which could damage the absorber in the panel!

6. Due to the internal design, the panels are connected in series. A variety of non-standard options are available for the flow and return connections.

Note! The panel on the right hand side is the hottest this is the flow to the cylinder. The panel on the left side is the return from the cylinder.

7. The panels should now be checked for leaks. Test to at least 12 bar with water/antifreeze. Every connection must be checked over a period of at least 20 minutes. Note! It is not possible to empty the panels. Always check with water/antifreeze mixture.

8. Fixing between panels is by means of 6x150 mm screws through the elongated holes in the aluminium profile to the roof rafters/noggins. Pict. 1+2.

Note! To get the right distance between the panels it is necessary to use the black spacers! Pict. 1+2+7



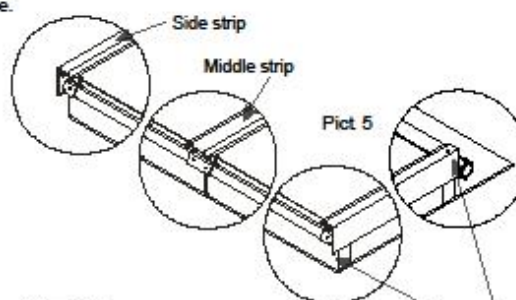
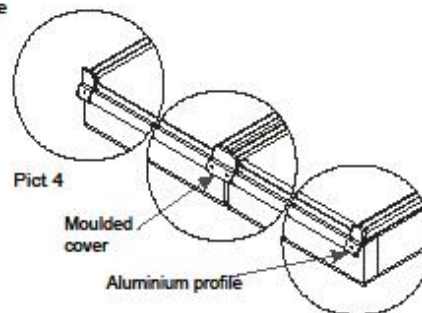
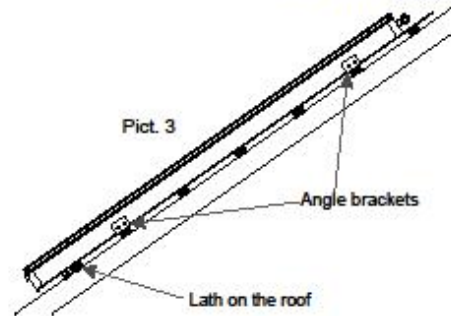
9. The outside panels are fixed on their edges to the roof rafters/noggins with the angle brackets. Pict. 1+3

10. The moulded covers are fitted with screws to the aluminium profile at the bottom of the panels to cover the gaps between the panels. Pict. 4

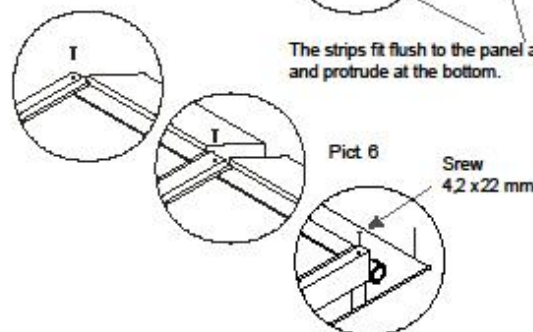
11. The middle aluminium cover strips can now be fitted. Pict. 5  
Note! The countersunk hole in the strips must be at the top! Tap with the rubber mallet until the cover strip clicks into place. The two side strips are mounted after fitting the flashing!

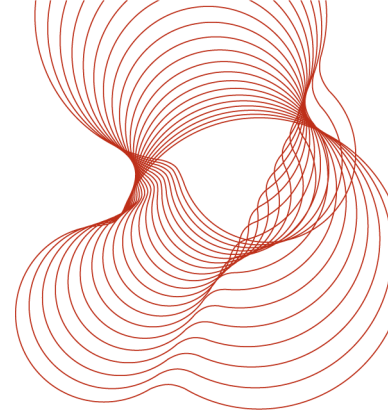
12. Fix the cover strips with the screws to the panel. Pict. 6

13. The panel sensor for the solar control (sensor with red cable) is inserted into the tube which is situated on the right hand panel in the marked position.



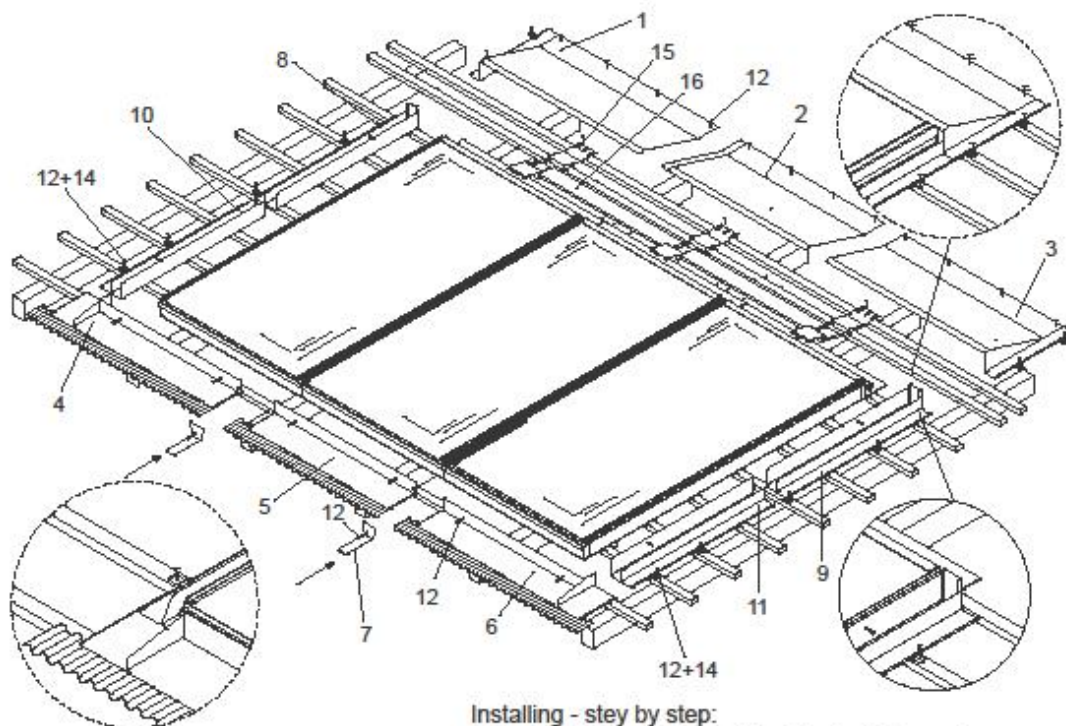
The strips fit flush to the panel at the top and protrude at the bottom.





## Installing instructions for flashing

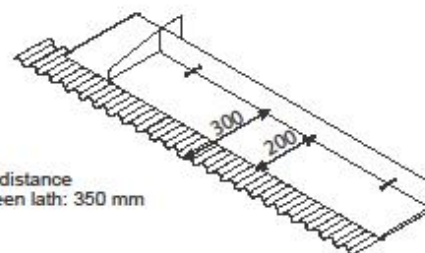
The flashing is a weatherproof connection between the roof tiles and the solar panels. It is made of powder coated aluminium sheet. The flashing is easy to mount with the pre-formed parts. It is possible to use the flashing on tiled or slated roofs with an inclination of more than 23° from horizontal.



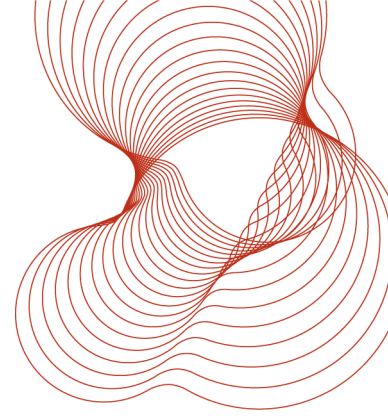
### Installing - step by step:

1. The lower left part of the flashing is fixed with two sealing screws to the wooden frame of the panel. The height depends on the roof material used. Don't cut the tiles at the bottom edge of the panels! If necessary, slope the tiles edges. The apron is adjusted to the shape of the tiles.

Pos.	Description
1	Top left sheet
2	Top middle sheet
3	Top right sheet
4	Lower left sheet
5	Lower middle sheet
6	Lower right sheet
7	Connection sleeve
8	Left hand gutter upper section
9	Right hand gutter upper section
10	Left hand gutter lower section
11	Right hand gutter lower section
12	Screw with washer 4.5x25mm A2 16mm
13	Wedge shaped foam
14	Bracket
15	Supporting sheet
16	Wooden supporting board



max. distance  
between lath: 350 mm

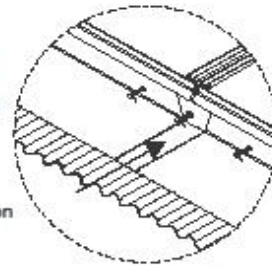


2. (This paragraph applies only if you have more than two panels)

Fit the lower middle sheet to the panel with 2 screws.

**ATTENTION!** The lower middle sheet has the same width as the panel. The sheet must fit flush to the panel at both edges. Between any two front parts there must be a gap of about 8 mm. This gap is necessary to compensate for the expansion.

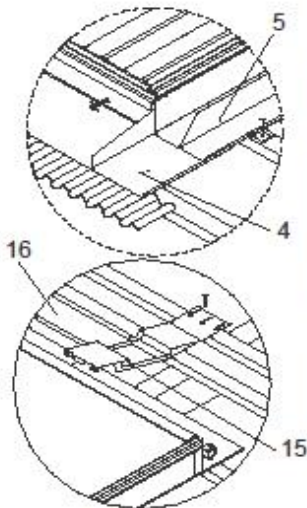
3. Slide the connection sleeve[s] onto the lower sheets where they abut to cover the expansion gap[s] screwing them to the lower edge of the panel.



4. Install all lower middle sheets and connection sleeves in the same way.

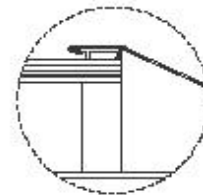
5. The lower right sheet (Pos. 4) has to abut on the outer edge of the collector and has to be fixed with 2 screws directly with the collector. Again the connection sleeve has to be hooked in and slid on.

6. Each side gutter comprises 2 sections, upper and lower. Slide the lower section into the folded edge of the lower sheets. It may be necessary to bend up the lip a little and bend it down after joining. Slide the upper section of the gutter into the lower section - ensuring that it is on top and to the marker sticker. The closed end of the gutter will be flush with the top of the panel frame. Screw the gutters directly to the timber side of the panel (measure up approximately 70 cm) from the lath, this will maintain the water proof seal and ensure the screw heads are covered by the clip on side profile. Fix the brackets to the laths as shown.



7. The supporting sheet (Pos. 15) has to be hooked in at the upper collector profile and fixed on the rafter behind using the screw. The supporting sheets are always installed in the central of the collector. You need one supporting sheet for every collector. If necessary install an additional rafter. The wooden supporting board is hooked in the supporting sheet (Pos. 16). This board serves as base for the top sheets of the flashing.

8. Slide the left top sheet over the left gutter. It may be necessary to bend up the lip a little and bend it down after joining. Slide the left hand top sheet up to engage the lip on the aluminium profile with the lip on the panel. The left and right top sheets are fixed to the laths by 2 brackets, 2-3 cm from their edges.



**Take care not to deform the aluminium flashings as this may allow water to penetrate!**

9. Slide the top middle sheet into the groove on the top left sheet. Ensure that the top flashing is aligned horizontally.

10. Install all the remaining top sheets in a similar fashion.



11. Stick on the wedge shaped foam parts to the sides and top around the panels. Clean the aluminium sheet if it is dusty.

12. Replace the roof tiles allowing about 1 cm clearance from the tiles

